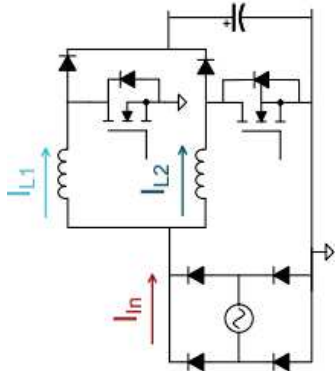
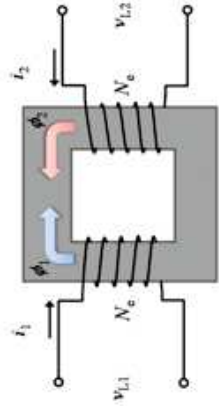
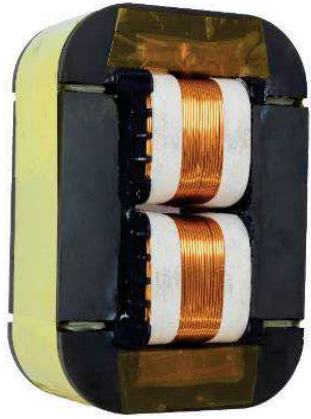




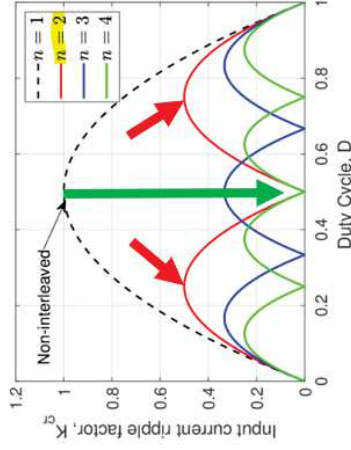
Heynen works for innovators



Has all the benefits of using interleaved topology + ...



Used in Interleaved topology for **PFC or Boost.**



- ② **Dimension and cost reduction** due to the use of **one core** for all inductors
- ② Magnetic flux density generated by **50Hz**, or DC current is **cancelled in the core**
- ② **Reduction of total losses.** High saturation materials are not needed, so **ferrite** can be used

A complex technology that not all manufacturers can offer..

- ② Need of **FEM simulations** to validate the design
- ② As it uses the leakage inductance the **stray magnetic fields** will must be managed to pass trough the core, otherwise will overheat surrounding components and metallic part