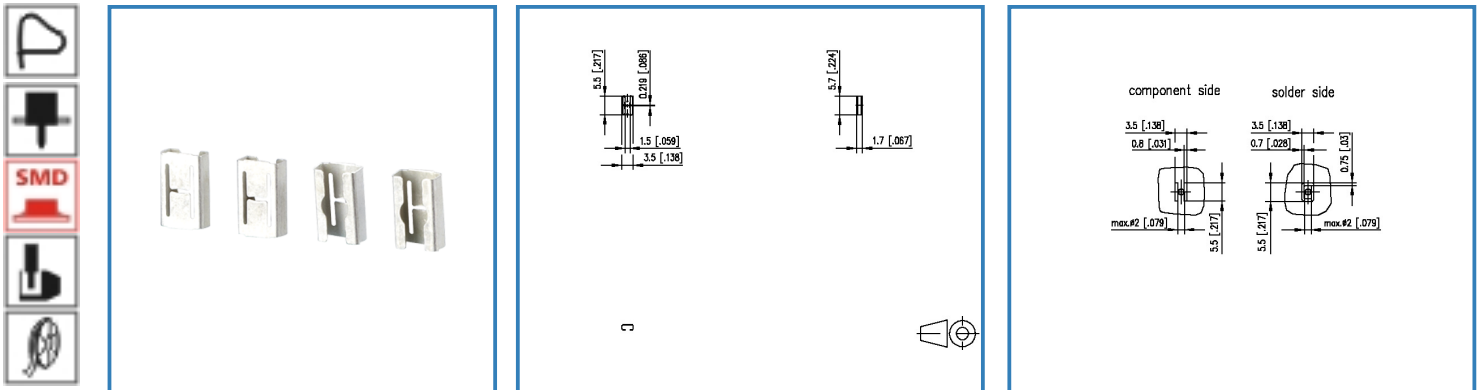


Data Sheet

SM01W01VXNN2G1 7-inch reel solder pad/solder side

Illustration



see enlarged drawing at the end of the document

Product specification

- spring clamp terminal block, SMT solderable
- direction of connection vertical 0°
- Tape & Reel packaging
- Connection data

0.1 - 0.75 mm² AWG 26 - 18 / 13 A

Data Sheet

SM01W01VXNN2G1 7-inch reel solder pad/solder side

Technical Data

General Data

min. number of poles	1		
max. number of poles	1		
protection category	IP 00		
Overvoltage category	III	III	II
Pollution degree	3	2	2
Rated voltage	630 V	1600 V	1600 V
Rated test voltage	6 kV	8 kV	6 kV
Min. insul. strip length	4 mm		

Connection data

0.1 - 0.75 mm ²	AWG 26 - 18 / 13 A
----------------------------	--------------------

General

solderability	Acc. to IPC/JEDEC J-STD-020D-MSL 1
Tolerance	ISO 2768 -mH

Safety instructions

Components have to be fixed in a way to prevent any transmission of forces on to the contact. Components with more than one pin are recommended.

Data Sheet

SM01W01VXNN2G1 7-inch reel solder pad/solder side

Page 3/6

P/N

ASM01W0164-2G16

2014/04/09

Matching Part

P/N	Product name
709023 (on request)	Tape_ASM01Y_16mm

Matching Part to

P/N	Product name
709023 (on request)	Tape_ASM01Y_16mm

Data Sheet

SM01W01VXNN2G1 7-inch reel solder pad/solder side

Page 4/6

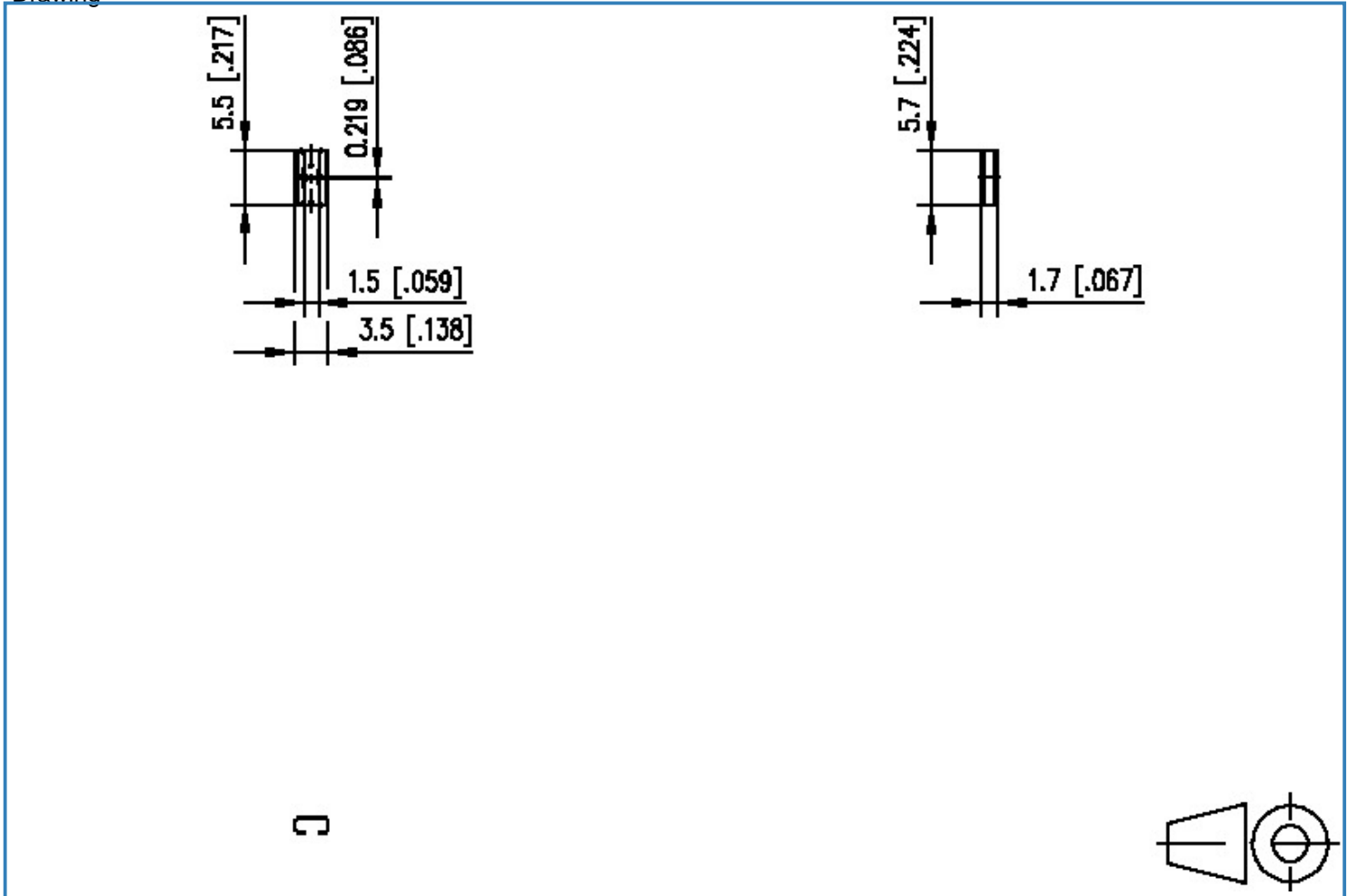
P/N

ASM01W0164-2G16

2014/04/09

Illustration

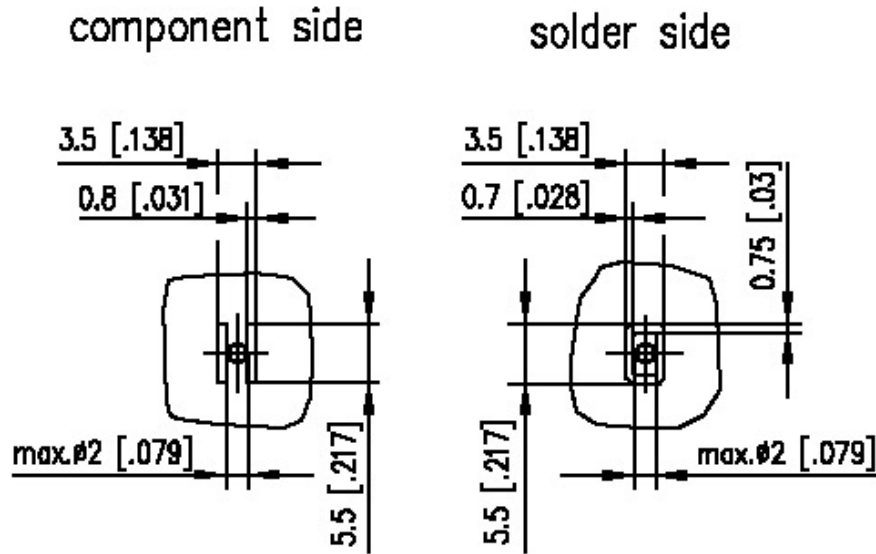
Drawing



Data Sheet

SM01W01VXNN2G1 7-inch reel solder pad/solder side

PCB Layout



Data Sheet

SM01W01VXNN2G1 7-inch reel solder pad/solder side

Page 6/6

P/N

ASM01W0164-2G16

2014/04/09

