



2112143

NEW

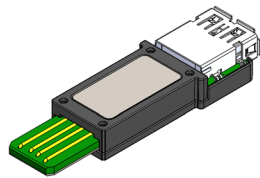
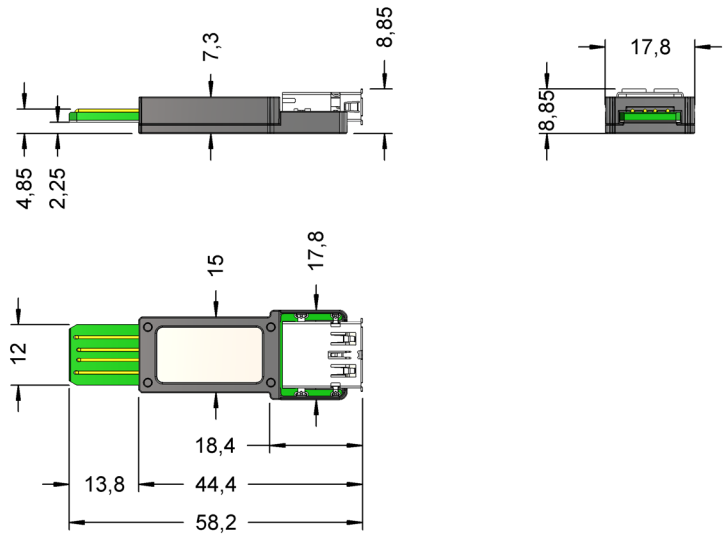
TC-P 198 004 USB 2.0 Test Connector for USB 2.0

Max. Data rate	480 Mbit/s
Voltage	25 VAC / 60 VDC
Current	1,5 A at 25°C
R typ	<30 mOhm
Temperature	-20°C...+80°C

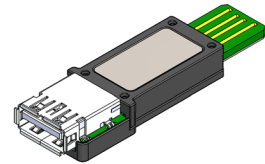
Test connector for USB 2.0 (4 pole) for contacting USB interfaces.
Application in USB devices like hard disks, data carriers, power supplies etc.

Features:

- Report on USB type A
- Smooth contact to test item (front view)
- Easy connection to test system with standard USB cable (rear view)
- Up to 200.000 contact cycles



Front view



Rear view

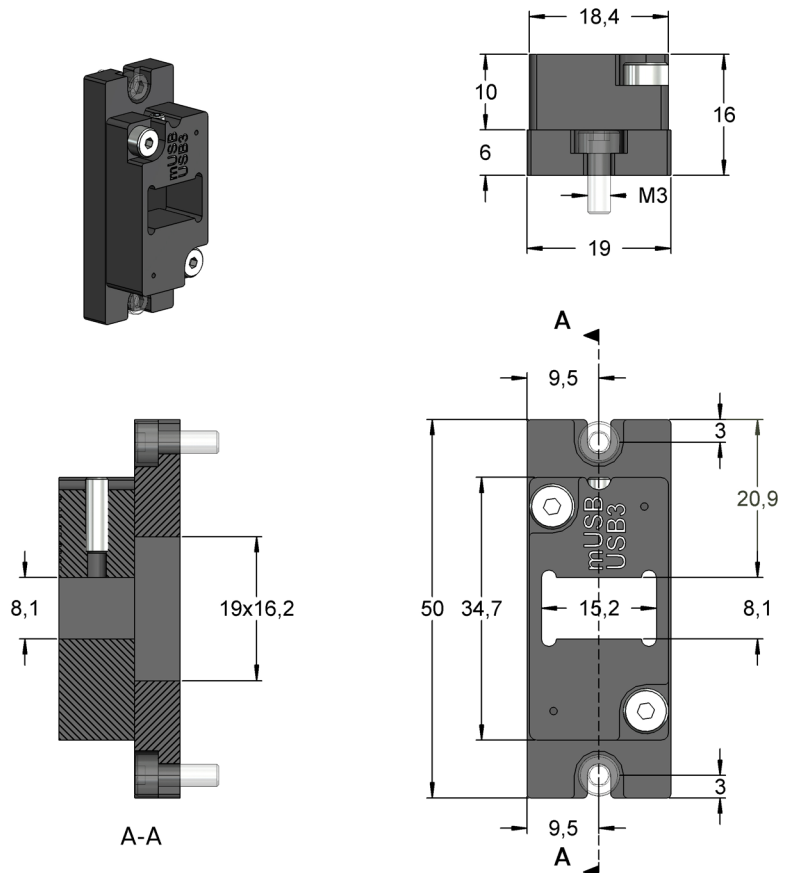
Series	Pole count	Type
e.g. TC-P 198	004	USB 2.0 A
Holding device	Contact side	Version

2112198

TC-H 198 Holding Device for Test Connector USB2.0/USB3.0

Due to the centered seat of the test connector the holding device allows a parallel movement of the test connector and its connection.

- Floating-mounting of test connectors of $\pm 0,4$ mm in x- and y-direction
- A torsion angle of up to $1.8^\circ \pm 0.2^\circ$ is possible
- The holding device has a life cycle of more than 500.000 mechanical movements
- The holding device is fixed only by two screws at the upper and lower ends
- The test connector is attached to the holding device using only one locking screw



The threaded pin requires a hex wrench SW1,5.